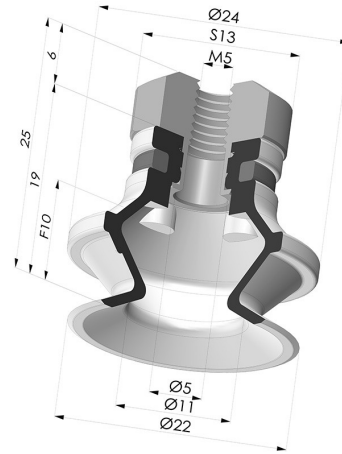


TECHNICAL INFORMATION

Arrow :	10 mm
Category :	With bellows
Contact lip diameter :	22.2 mm
Height (in mm) :	25
Horizontal force :	13 N
inner barrel diameter :	M5
Number of bellows :	1.5 Bellows
Range :	Suction cup
Series :	91
Shape :	1.5 Bellows
Vertical force :	6.5 N



Variants:



Variant reference:
91 20SL FM5

- Color: Red food-grade CE certification
- Matter: Silicone
- Shore Hardness: SH60



Variant reference:
91 20SLT FM5

- Color: Translucent
- CE food certified
- Matter: Silicone
- Shore Hardness: SH60



Variant reference:
91 20NI FM5

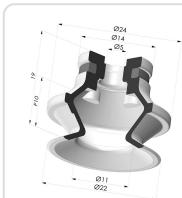
- Color: Black
- Matter: Nitrile
- Shore Hardness: SH50



Variant reference:
91 20TPU FM5

- Color: Translucent
- Matter: Thermoplastic
- Shore Hardness: SH70

Related products:



Bellows Suction Cup 1.5 folds Series 91, Ø 20 mm

Product reference: 91 20-- A



Separable Female Fitting M5

Product reference: 9PM5-2