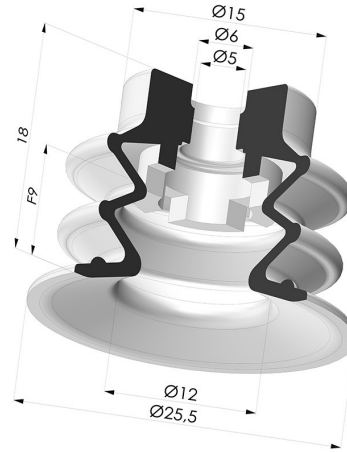


**TECHNICAL INFORMATION**

<b>Arrow :</b>	9 mm
<b>Category :</b>	With bellows
<b>Contact lip diameter :</b>	25 mm
<b>Height (in mm) :</b>	18
<b>Horizontal force :</b>	20 N
<b>inner barrel diameter :</b>	5mm
<b>Number of bellows :</b>	2.5 Bellows
<b>Range :</b>	Suction cup
<b>Series :</b>	96
<b>Shape :</b>	2.5 Bellows
<b>Vertical force :</b>	10 N



**Variants:**



Variant reference:  
**96 25SL A**

- Color: Red food-grade CE certification
- Matter: Silicone
- Shore Hardness: SH60



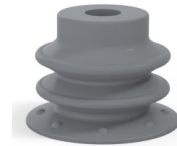
Variant reference:  
**96 25SLT A**

- Color: Translucent
- CE food certified
- Matter: Silicone
- Shore Hardness: SH60



Variant reference:  
**96 25NI A**

- Color: Black
- Matter: Nitrile
- Shore Hardness: SH50



Variant reference:  
**96 25NR A**

- Color: Gray
- Matter: Natural rubber
- Shore Hardness: SH50

**Related products:**



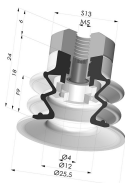
**Bellows Suction Cup 2.5 folds Series 96, Ø 25 mm**

Product reference: 96 25-- FM5



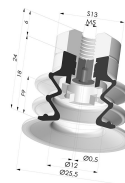
**Bellows Suction Cup 2.5 folds Series 96, Ø 25 mm**

Product reference: 96 25-- FM5BD



**Bellows Suction Cup 2.5 folds Series 96, Ø 25 mm**

Product reference: 96 25-- FM5F



**Bellows Suction Cup 2.5 folds Series 96, Ø 25 mm**

Product reference: 96 25-- FM5GIC