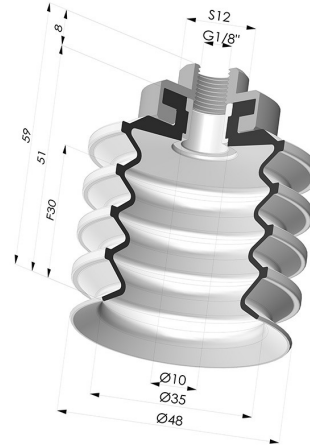


**TECHNICAL INFORMATION**

<b>Arrow :</b>	30 mm
<b>Category :</b>	With bellows
<b>Contact lip diameter :</b>	50 mm
<b>Height (in mm) :</b>	59
<b>Horizontal force :</b>	77 N
<b>inner barrel diameter :</b>	Female G1/8"
<b>Number of bellows :</b>	4.5 Bellows
<b>Range :</b>	Suction cup
<b>Series :</b>	92
<b>Shape :</b>	4.5 Bellows
<b>Vertical force :</b>	38.5 N



**Variants:**



Variant reference:  
**92 50SLT F18**

- Color: Translucent
- CE food certified
- Matter: Silicone
- Shore Hardness: SH60

**Related products:**

**Bellows Suction Cup 4.5 folds Series 92, Ø 50 mm**  
 Product reference: 92 50-- A

**Inner Reinforcement Ring - OD 45.5 mm**  
 Product reference: A50

**Check Valve for Fitting 9G18A**  
 Product reference: PAL 9G18A

**Rivet for Fitting 9G18A - Aluminium**  
 Product reference: 9G18A RIV