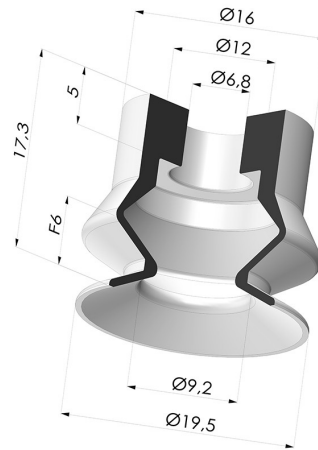


TECHNICAL INFORMATION

Arrow :	6 mm
Category :	With bellows
Contact lip diameter :	19.5 mm
Height (in mm) :	17.3
Horizontal force :	12.5 N
inner barrel diameter :	6.8 mm
Number of bellows :	1.5 Bellows
Range :	Suction cup
Series :	8
Shape :	1.5 Bellows
Vertical force :	6.2 N



Variants:



Variant reference:
83 20TPE A

- Color: Translucent
- CE food certified
- Matter: Polyurethane
- Shore Hardness: SH50



Variant reference:
83 20TPU A

- Color: Translucent
- Matter: Polyurethane
- Shore Hardness: SH70

Related products:



Separable Male Fitting G1/8"

Product reference: 9P18



Screw M6 - Head Ø 12 mm - L 13 mm

Product reference: M6T12L13