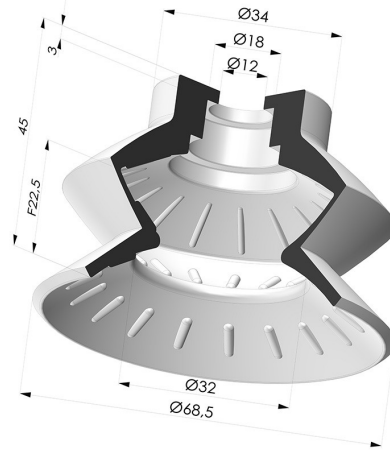


TECHNICAL INFORMATION

Arrow :	22.5 mm
Category :	With bellows
Contact lip diameter :	72 mm
Height (in mm) :	45
Horizontal force :	150 N
inner barrel diameter :	12mm
Number of bellows :	1.5 Bellows
Range :	Suction cup
Series :	8
Shape :	1.5 Bellows
Vertical force :	75 N



Variants:



Variant reference:

8 72NI A

- Color: Black
- Matter: Nitrile
- Shore Hardness: SH50



Variant reference:

8 72SLT A

- Color: Translucent
- CE food certified
- Matter: Silicone
- Shore Hardness: SH60



Variant reference:

8 72VI A

- Color: Blue
- Matter: Vinyl
- Shore Hardness: SH50