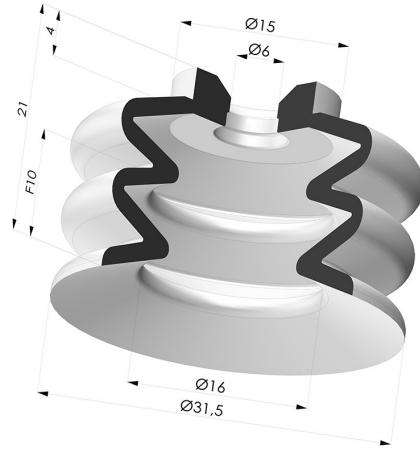


**TECHNICAL INFORMATION**

<b>Arrow :</b>	10 mm
<b>Category :</b>	With bellows
<b>Contact lip diameter :</b>	31.5 mm
<b>Height (in mm) :</b>	21
<b>Horizontal force :</b>	36 N
<b>inner barrel diameter :</b>	6mm
<b>Number of bellows :</b>	2.5 Bellows
<b>Range :</b>	Suction cup
<b>Series :</b>	8
<b>Shape :</b>	2.5 Bellows
<b>Vertical force :</b>	18 N



**Variants:**



- Variant reference:  
**8 31.5SLT A**
- Color: Translucent
  - CE food certified
  - Matter: Silicone
  - Shore Hardness: SH60



- Variant reference:  
**8 31.5NR A**
- Color: Gray
  - Matter: Natural rubber
  - Shore Hardness: SH50



- Variant reference:  
**8 31.5NI A**
- Color: Black
  - Matter: Nitrile
  - Shore Hardness: SH50

**Related products:**



**Adaptor - Female G1/4" - Female M6**

Product reference:  
 F14F6



**Adaptor - Female 1/8G - Female M6**

Product reference:  
 F18F6



**Adaptor - Male 1/4G - Female M6**

Product reference:  
 M14F6



**Adaptor - Male 1/8G - Female M6**

Product reference:  
 M18F6



**Screw M6 - Head Ø 12 mm - L 15 mm**

Product reference:  
 M6T12L15