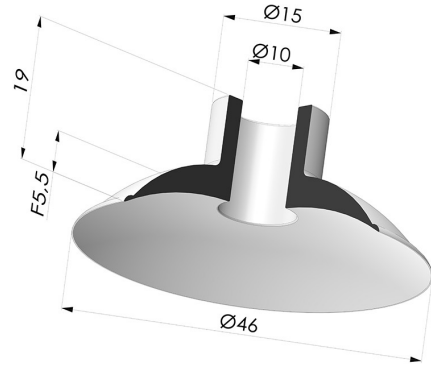


**TECHNICAL INFORMATION**

<b>Arrow :</b>	5.5mm
<b>Category :</b>	Plates
<b>Contact lip diameter :</b>	46 mm
<b>Height (in mm) :</b>	19
<b>Horizontal force :</b>	75.5 N
<b>inner barrel diameter :</b>	10 mm
<b>Number of bellows :</b>	0.5 Bellows
<b>Range :</b>	Suction cup
<b>Series :</b>	5
<b>Shape :</b>	Plate
<b>Vertical force :</b>	37 N



**Variants:**



Variant reference:  
**5 46CN A**

- Color: Brown FDA food certified
- Matter: Natural rubber
- Shore Hardness: SH40



Variant reference:  
**5 46SLB A**

- Color: White
- FDA and CE food-grade certified
- Matter: Silicone
- Shore Hardness: SH40



Variant reference:  
**5 46NI A**

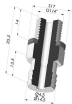
- Color: Black
- Matter: Nitrile
- Shore Hardness: SH50



Variant reference:  
**5 46SLT A**

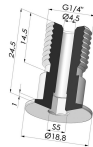
- Color: Translucent
- CE food certified
- Matter: Silicone
- Shore Hardness: SH60

**Related products:**



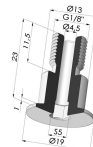
**Separable Male Fitting G1/4"**

Product reference: M14C17L35.5



**Screw G1/4" - Head Ø 19 mm - L 24.5 mm**

Product reference: M14T19L24.5



**Screw G1/8" - Head Ø 19 mm - L 23 mm**

Product reference: M18T19L23.5