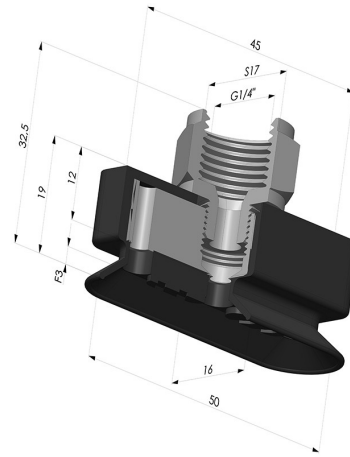
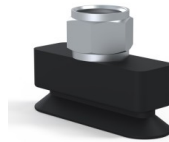


TECHNICAL INFORMATION

| | |
|--------------------------------|--------------|
| Arrow : | 3mm |
| Category : | Oblong |
| Height (in mm) : | 32 |
| Horizontal force : | 40N |
| inner barrel diameter : | Female G1/4" |
| Length : | 50mm |
| Number of bellows : | 0.5 Bellows |
| Range : | Suction cup |
| Series : | 4RP |
| Shape : | Oblong |
| Vertical force : | 20N |
| Width : | 16mm |



Variants:



Variant reference:

4RP 52NI F14

- Matter: Nitrile
- Shore Hardness: SH70